

DPLIFT

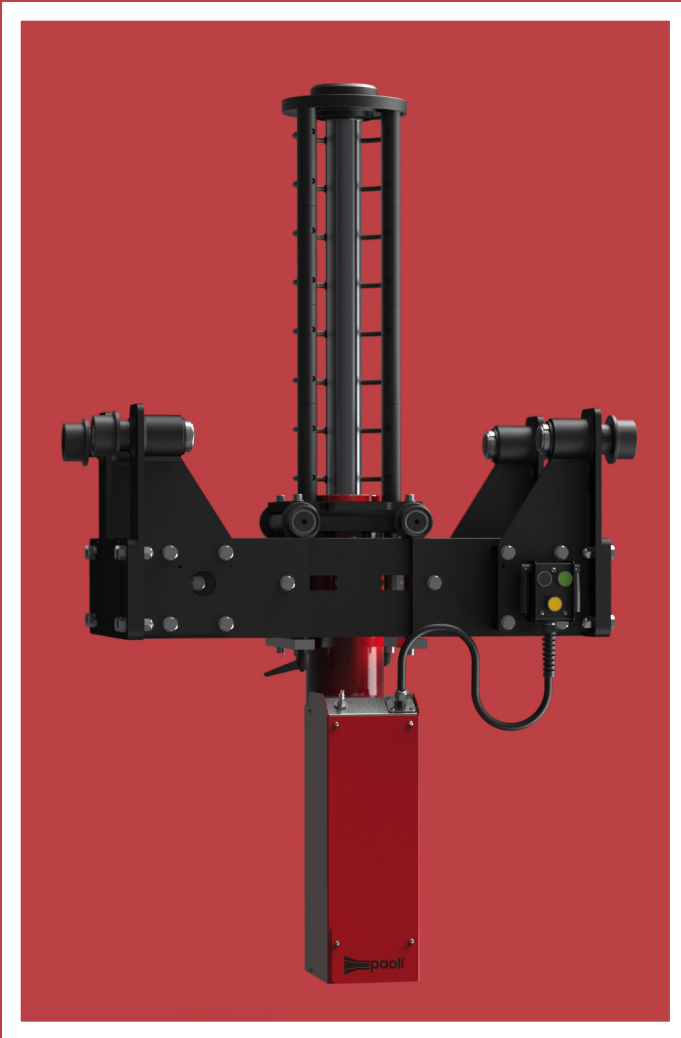
SUSPENDED PIT JACKS

ADJUSTABLE MODELS

3215 H - 3220 H

3615 H - 3620 H

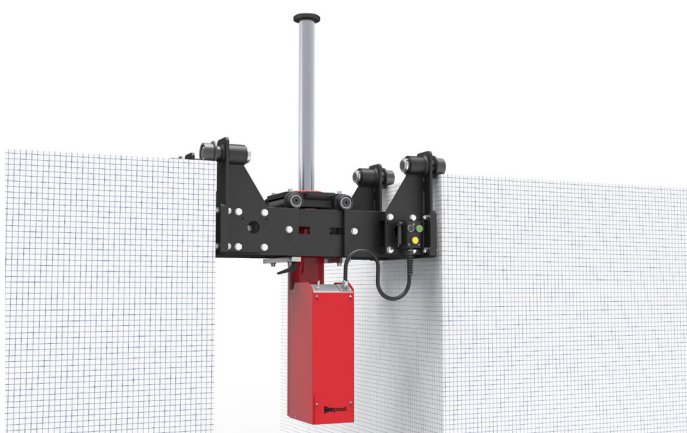
- Air filter with condensate drain
- Telescopic beam
- Remote control
- 3 types of rollers
- "Safety Block System" kit option
- Wide range of accessories



An innovative range of suspended pit jacks

Our new range of suspended pit jacks is designed for heavy vehicles. It is also the ideal solution for service and maintenance of gearboxes and differentials, thanks to the innovations that make them unique on the market.

All our jacks are manufactured entirely in Italy and tested with the utmost care and attention, following quality standards that have been contributing to make us a leader in the automotive sector since 1967.



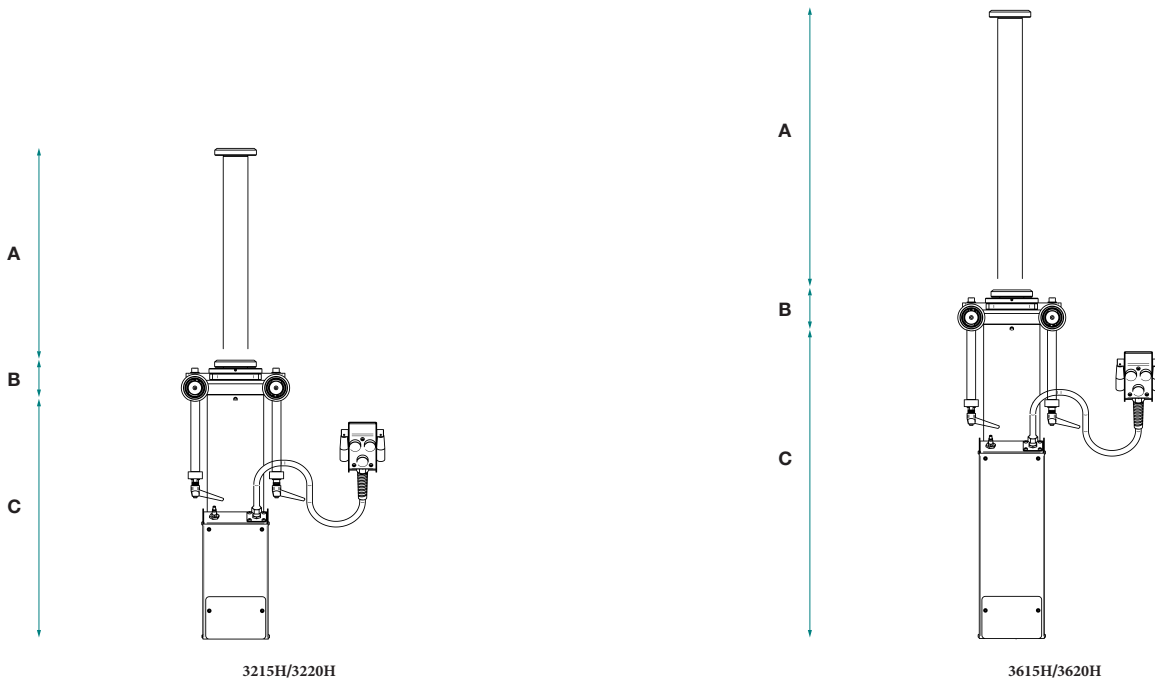


LIFTING UNIT

All H-line suspended pit jacks are equipped with a double descent valve, which ensures a perfect holding and controlled speed when descending under load, and an air filter with condensate drain, fully accessible to ensure a long lifespan of the jack.

The H-line consists of four models of jacks that differ in piston stroke (600 mm and 800 mm) and load capacity (15 and 20 t).

TECHNICAL DATA



	A	B	C	Capacity	Weight	Working air pressure	Air consumption
3215H	600 mm	110 mm	680 mm	15 t	333 kg	8-10 bar	600 nl/min
3220H	600 mm	110 mm	680 mm	20 t	333 kg	8-10 bar	600 nl/min
3615H	800 mm	110 mm	880 mm	15 t	355 kg	8-10 bar	600 nl/min
3620H	800 mm	110 mm	880 mm	20 t	355 kg	8-10 bar	600 nl/min

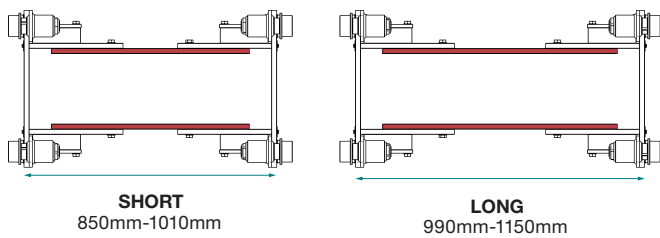


TELESCOPIC BEAM

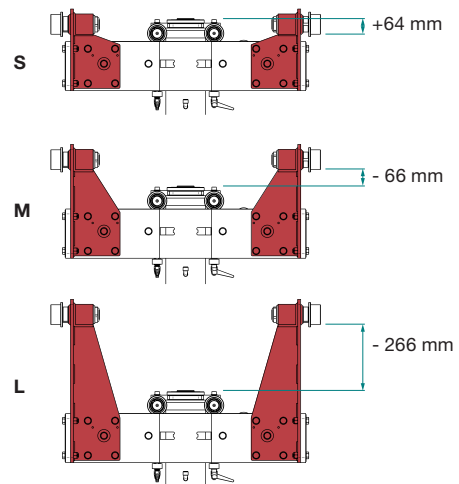
Thanks to this adjustable and configurable beam, the jack can be adapted to any type of pit, thus reducing the waste of material and time needed to set and customize heavy custom-made beams improving convenience and performance.

ADJUSTABLE ELEMENTS

Length




Height



REMOTE CONTROL

The new H-line jacks are all equipped with remote control to make lifting and descending operations as easy as possible, guaranteeing the operator maximum safety when using the equipment.

The remote control is fitted with magnets at the rear allowing the operator to fix it to any metal surface at his convenience.

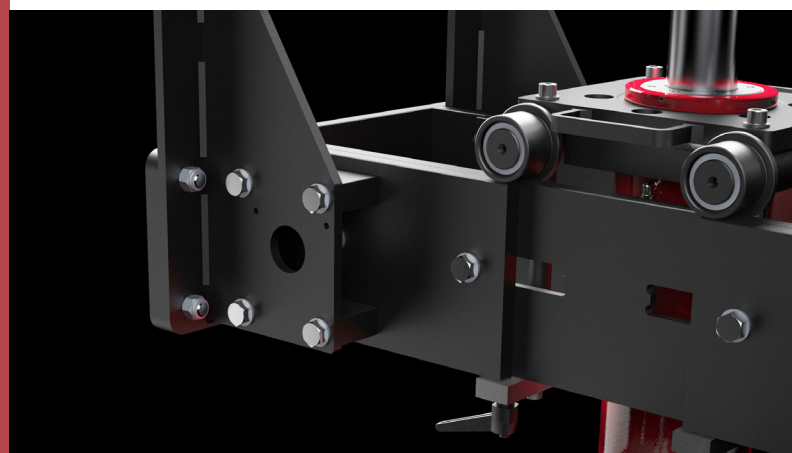
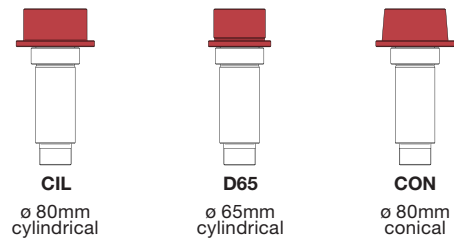
 Quick approach

 Lifting

 Descent



Roller type



ACCESSORIES

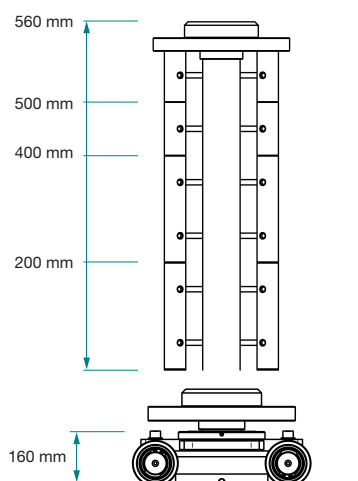
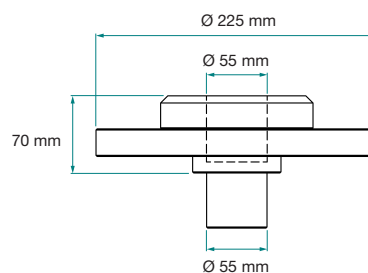
In order to make our products even more versatile and flexible, we have designed a wide range of accessories compatible with the H-line suspended pit jacks.

Among the various accessories we have designed a modular and easy-to-use blocking system capable of safely lifting any kind of load, turning the jack into a real support column.



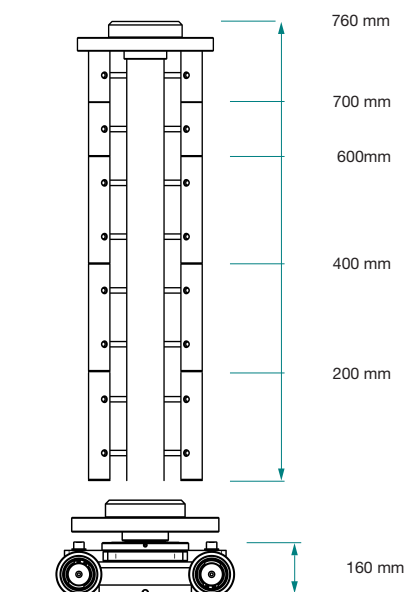
Kit Safety Block System

Cod: A05951 (3200H) - A05951 (3600H)



3215H/3220H

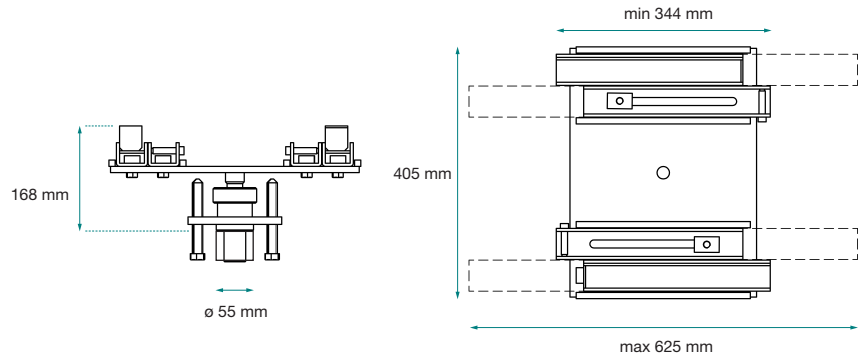
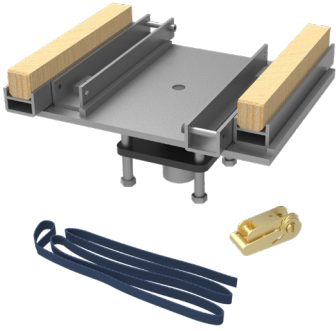
Cod: A5951



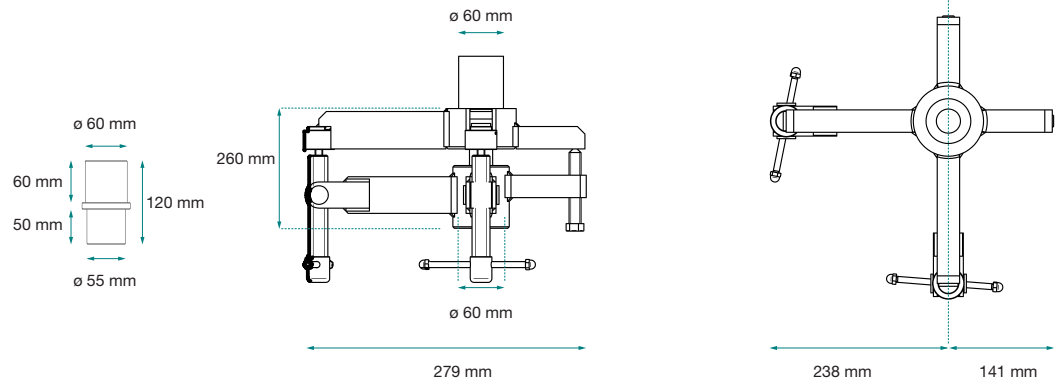
3615H/3620H

Cod: A5952

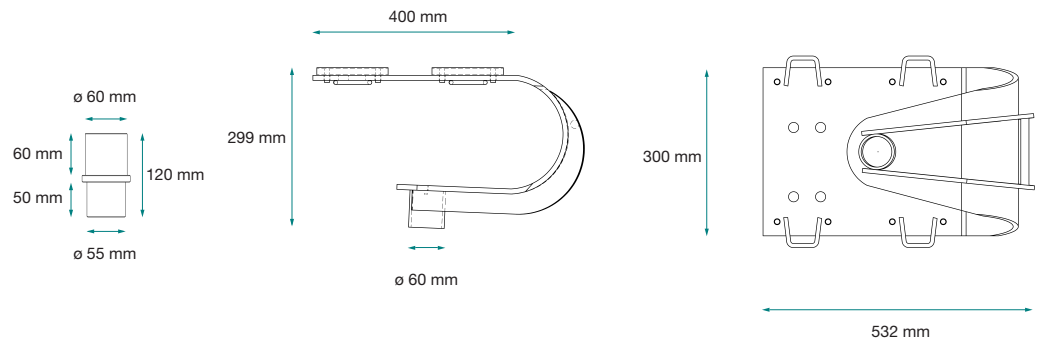
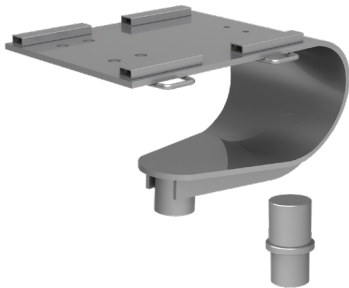
Cod: A00206



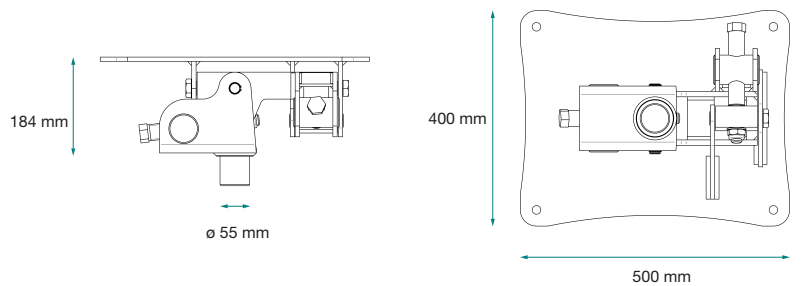
Cod: A00218



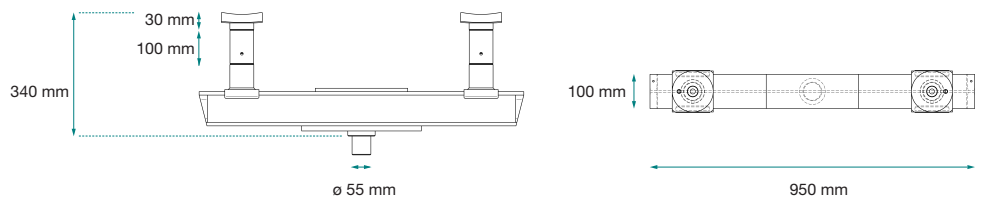
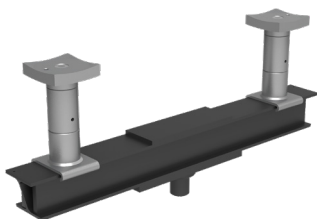
Cod: A00208

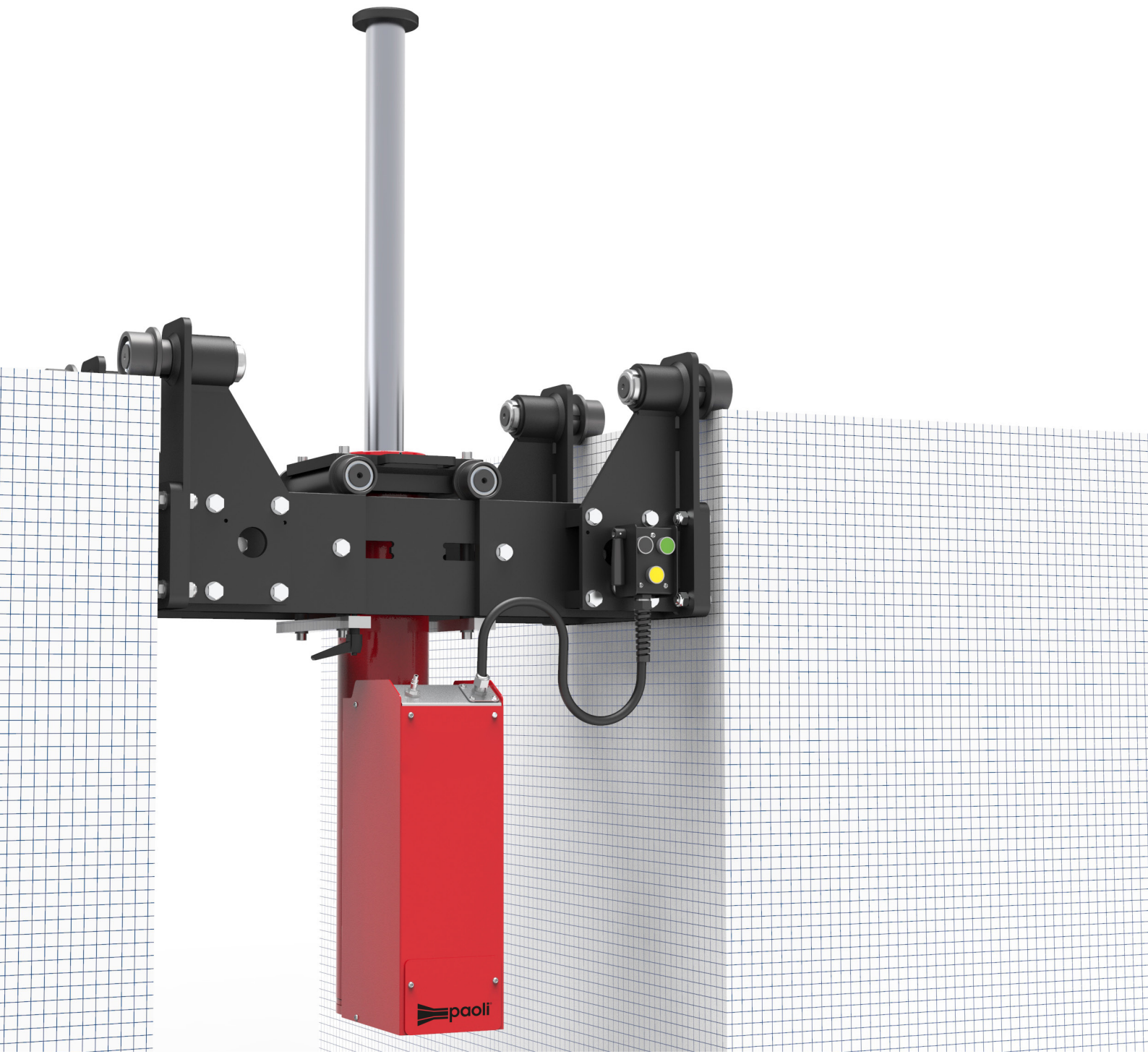


Cod: A00207



Cod: A00221





 **paoli**[®]

Dino Paoli S.r.l.
Via G. Dorso, 5 - 42124 Reggio Emilia - Italy
Tel. +39 0522 364511 - Fax + 39 0522 304864
www.paoli.net - sales@paoli.net

